



# Open Rim Gauge Wheel

Available Sizes

2.5" 3" 4"

## Cast Iron Bearing Hub

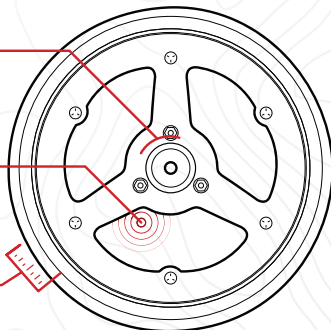
Eliminates wheel wobble and reduces maintenance time with press fit bearing.

## Open Rim Construction

MudSmith's open rim construction allows the rim to clear mud and residue as it turns.

## Compatibility

MudSmith wheels fit all brand and models of implements with gauge wheels measuring 2.5", 3" & 4".



## Gauge Wheel Hardware Kit

Includes everything necessary to convert old gauge wheels to MudSmith's open rim design.

Retail \$95 USD

## Gauge Wheel

Retail \$130 USD



DISTRIBUTED BY

**THUNDERSTRUCK**  
AG EQUIPMENT

Order By Phone:  
**888 409-5563**

Order Online:  
**[www.thunderstruckag.com](http://www.thunderstruckag.com)**  
Dealer inquiries welcome.